

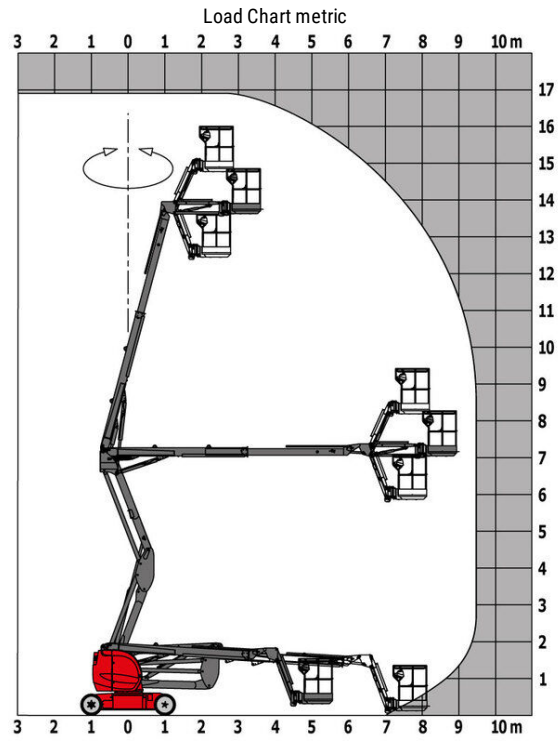
Technical sheet :

170 AETJ-L BI

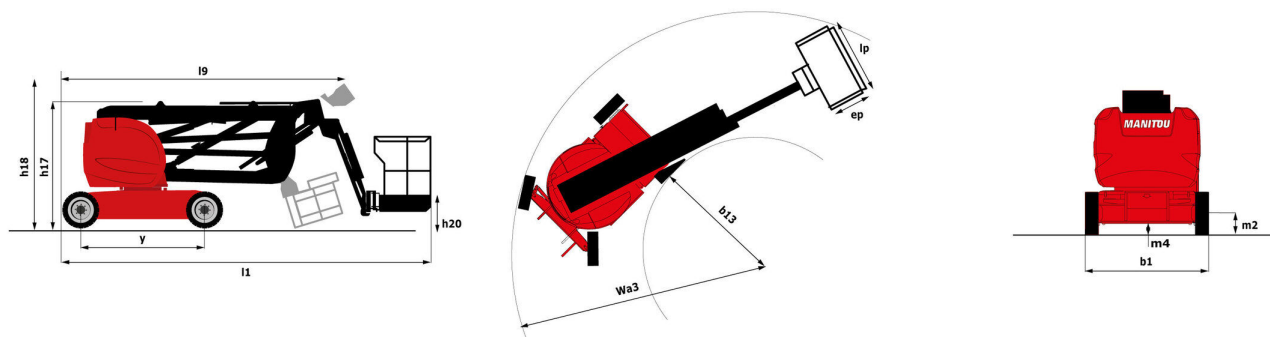


Capacities		Metric
Working height	h21	17.03 m
Platform height	h7	15.03 m
Max. outreach	r1	9.43 m
Overhang	h31	7.27 m
Pendular arm rotation (top / bottom)		+62 ° / -59 °
Platform capacity	Q	230 kg
Turret rotation		355 °
Platform rotation (right / left)		70 ° / 70 °
Number of people (inside / outside)		2 / 2
Weight and dimensions		
Platform weight*		7435 kg
Platform dimensions (length x width)	lp / ep	1.20 m x 0.92 m
Overall width	b1	1.91 m
Overall length	l1	6.99 m
Overall height	h17	2.10 m
Overall length (stowed)	l9	5.27 m
Overall height (stowed)	h18	2.13 m
Floor height (access)	h20	0.40 m
Jib length	l13	1.26 m
Counterweight offset (turret at 90°)	a7	0 m
Internal turning radius (over tyres)	b13	1.97 m
External turning radius	Wa3	4.27 m
Tailswing		0 m
Ground clearance at centre of wheelbase	m2	0.18 m
Wheelbase	y	2.20 m
Performances		
Drive speed - stowed		6 km/h
Drive speed - raised		0.60 km/h
Gradeability		21 %
Permissible leveling		5 °
Wheels		
Tyres type		Foam Filled Non Marking
Dimensions of front wheels / rear wheels		0,65x0,25m - 0,65x0,25m
Drive wheels (front / rear)		0 / 2
Steering wheels (front / rear)		2 / 0
Braking wheels (front / rear)		0 / 2
Engine/Battery		
Electric engine power rating		2 x 4.50 kW
Electric Pump		3.70 kW
I.C. Engine power rating / Power (kW)		12 Hp / 9.20 kW
Battery / Batteries capacity		48 V / 300 Ah
Integrated charger (V / A)		48 V / 45 A
Miscellaneous		
Ground Pressure		14.48 daN/cm ²
Hydraulic Pressure		200 bar
Hydraulic tank capacity		12 l
Fuel tank		30 l
Vibration on hands/arms		< 2.50 m/s ²
Standards compliance		
This machine is in compliance with:		European directives: 2006/42/EC- Machinery (revised EN280:2013) - 2004/108/EC (EMC) - 2006/95/EC (Low voltage)

Load chart



170 AETJ-L BI - Dimensional drawing



Equipment

Standard

230V Predisposition

All-terrain, non-marking, foam-filled tyres

Audible alarm and illuminated indicator lamp (leveling, overload, lowering)

Battery charge indicator lamp

CAN bus technology

Easy Manager

Emergency stop button in platform and on frame

Hom in the platform

Hour meter

Integrated diagnostic assistance

Manual emergency lowering

Multi-voltage integrated charger

Negative-type braking on rear wheels

Pendular arm

Platform with open-work floor

Proportional controls

Protective cover for control panel

Slings and securing rings

Tool box in platform

Traction battery

Travel possible at maximum height

Optional

110 or 230V plug with differential circuit breaker

Air predisposition

Beep on every movement

Beep upon travel

Biodegradable oil

Centralized recharging of battery

Extreme cold oil

Flashing Light

Lockable fuel cap

Personalized paintwork

SMS : Safe Man System

Safety harness

Water predisposition

Working headlight in platform



Siège Social

430 rue de l'Aubinière - 44150 Ancenis Cedex - France

Tel: +33(0)2 40 09 10 11 - Fax: +33 (0)2 40 09 10 97

www.manitou.com



This brochure describes versions and configuration options for Manitou products which may be fitted with different equipment. The equipment described in this brochure may be standard, optional or not available depending on version. Manitou reserves the right to change the specifications shown and described at any time and without prior warning. The manufacturer is not liable for the specifications given. For more information, contact your Manitou dealer. Non-contractual document. Product descriptions may differ from actual products. List of specifications is not comprehensive. The logos and visual identity of the company are the property of Manitou and may not be used without authorisation. All rights reserved. The photos and diagrams contained in this brochure are provided for information only.

MANITOU BF SA - Limited company with board of directors - Share capital: 39,668,399 euros - 857 802 508 RCS Nantes