

Technical sheet :

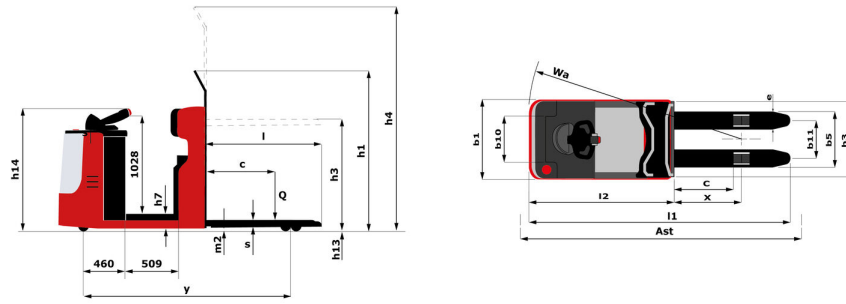
# **CI 12 PF**

---



Technical characteristics			Metric
1.1	Manufacturer		Manitou
1.2	Model Name		CI 12 PF
1.3	Power source		Battery
1.4	Operator type		Carried
1.5	Max. capacity	Q	1200 kg
1.6	Load centre of gravity	c	600 mm
1.8	Load distance, centre of drive axle to fork	x	275 mm
1.9	Wheelbase	y	1530 mm
Weight			
2.1	Service weight		1988 kg
2.2	Weight on front axle (laden) / rear axle (laden)		472 kg / 2508 kg
2.3	Weight on front axle (Unladen) / rear axle (Unladen)		650 kg / 1130 kg
Wheels			
3.1	Tyres type		Bandage
3.5.2	Number of drive wheels		1
3.2	Dimensions of front wheels		254 x 100
3.3	Dimensions of rear wheels		250 x 75
3.5	Number of front wheels / rear wheels		2 / 1
3.7	Rear wheel gauge	b11	665 mm
Dimensions			
4.2	Height mast lowered *	h1	2155 mm
4.4	Max. lifting height	h3	2548 mm
4.5	Height mast extended *	h4	3170 mm
4.8	Platform height	h7	130 mm
4.9	Height tiller up max.	h14	1212 mm
4.15	Fork height in low position	h13	52 mm
4.19	Overall length	l1	3215 mm
4.20	Length to face of forks	l2	2065 mm
4.21	Overall width - Single wheels	b1	800 mm
4.22	Forks section / width / length	s / e / l	40 mm x 100 mm / 1150 mm
4.24	Fork carriage width	b3	790 mm
4.25	Fork spread	b5	730 mm
4.32	Ground clearance at centre of wheelbase	m2	50 mm
4.34	Aisle width for 800 x 1200 pallet lengthways	Ast	3465 mm
4.35	Turning radius	Wa	1790 mm
Performances			
5.1	Travel speed (laden / unladen)		10 km/h / 12 km/h
5.2	Lifting speed (laden / unladen)		0.08 m/s / 0.12 m/s
5.3	Lowering speed (laden / unladen)		0.14 m/s / 0.11 m/s
5.7	Gradeability (laden / unladen)		6 % / 10 %
5.10	Service brake		Electro magnetic
5.11	Parking brake		Butterfly switch release
Engine			
6.1	Drive motor rating S2 60 min		2 kW
6.2	Lift motor rating at S3 15%		2 kW
6.3	Battery according to DIN 43531/35/36 A, B, C		Traction
6.4	Battery / Batteries capacity		24 V / 620 Ah
6.5	Battery weight (+/- 5%)		520 kg
Miscellaneous			
8.1	Type of drive control		AC
8.4	Measured/guaranteed mean noise level at the ear of the operator		< 70 dB(A)

CI 12 PF - Dimensional drawing





Siège Social

430 rue de l'Aubinière - 44150 Ancenis Cedex - France

Tel: +33(0)2 40 09 10 11 - Fax: +33 (0)2 40 09 10 97

[www.manitou.com](http://www.manitou.com)



This brochure describes versions and configuration options for Manitou products which may be fitted with different equipment. The equipment described in this brochure may be standard, optional or not available depending on version. Manitou reserves the right to change the specifications shown and described at any time and without prior warning. The manufacturer is not liable for the specifications given. For more information, contact your Manitou dealer. Non-contractual document. Product descriptions may differ from actual products. List of specifications is not comprehensive. The logos and visual identity of the company are the property of Manitou and may not be used without authorisation. All rights reserved. The photos and diagrams contained in this brochure are provided for information only.

MANITOU BF SA - Limited company with board of directors - Share capital: 39,668,399 euros - 857 802 508 RCS Nantes