

Technical sheet :

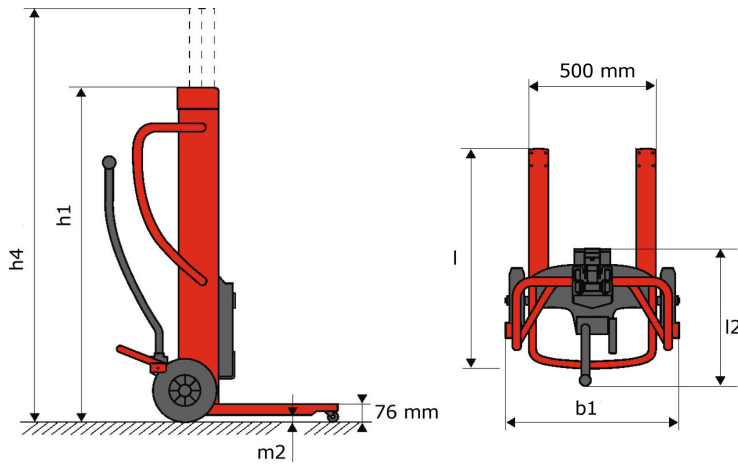
# **KLEOS DHM 250 D15**

---



| Technical characteristics |  |    | Metric          |
|---------------------------|--|----|-----------------|
| 1.1                       | Manufacturer                                 |    | Manitou         |
| 1.2                       | Model Name                                   |    | DHM 250 D15     |
| 1.3                       | Power source                                 |    | Manual          |
| 1.4                       | Operator type                                |    | Pedestrian      |
| 1.5                       | Max. capacity                                | Q  | 250 kg          |
| Weight                    |  |    |                 |
| 2.1                       | Overall weight without tools                 |    | 95 kg           |
| Wheels                    |  |    |                 |
| 3.1                       | Tyres type                                   |    | Nylon           |
| 3.2                       | Dimensions of front wheels                   |    | 2 x (50x20)     |
| 3.3                       | Dimensions of rear wheels                    |    | 2 x (250x40)    |
| 3.5                       | Number of front wheels / rear wheels         |    | 2 / 2           |
| Dimensions                |  |    |                 |
| 4.2                       | Height mast lowered *                        | h1 | 1305 mm         |
| 4.4                       | Max. lifting height                          | h3 | 1480 mm         |
| 4.5                       | Height mast extended *                       | h4 | 2043 mm         |
| 4.19                      | Overall length without tools                 | l1 | 911 mm          |
| 4.20                      | Length to face of forks                      | l2 | 516 mm          |
| 4.21                      | Overall width                                | b1 | 666 mm          |
| 4.26                      | Distance between wheel arms/loading surfaces | b4 | 152 mm          |
| 4.32                      | Ground clearance at centre of wheelbase      | m2 | 45 mm           |
| Performances              |  |    |                 |
| 5.3                       | Lowering speed (laden / unladen)             |    | 10 m/s / 10 m/s |

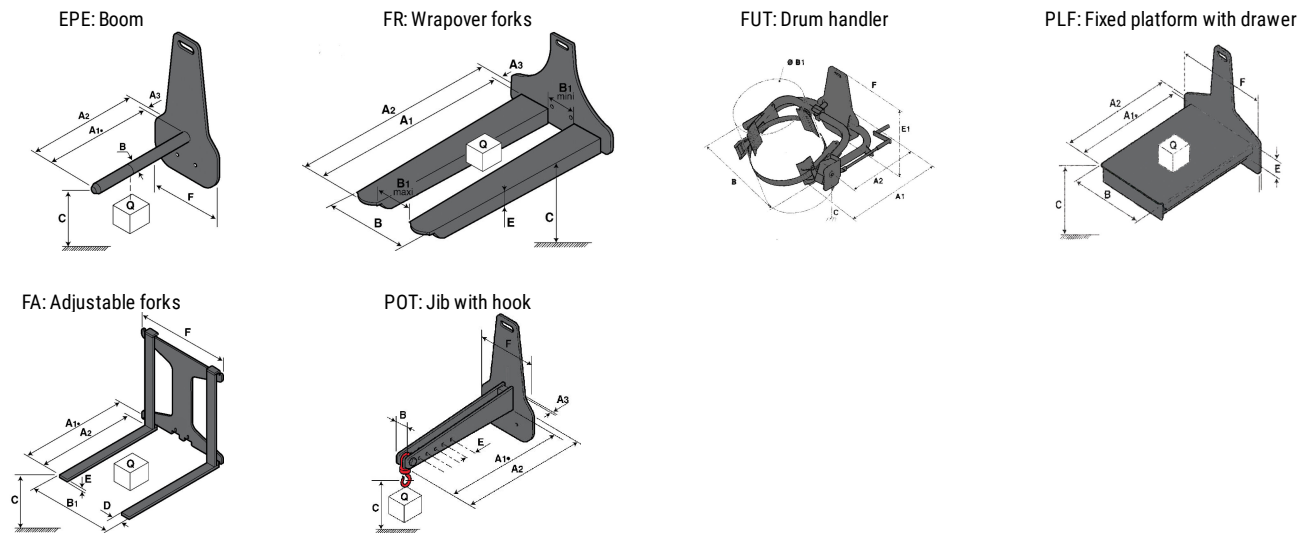
# Kleos DHM 250 D15 - Dimensional drawing



## Tool characteristics

| Tool 250 kg | Attachment capacity | Center of gravity of load | A1  | A2  | B   | B1  | C   | D  | E  | E1 | E2 | F   | Weight |
|-------------|---------------------|---------------------------|-----|-----|-----|-----|-----|----|----|----|----|-----|--------|
|             |                     |                           | mm  | mm  | mm  | mm  | mm  | mm | mm | mm | mm | mm  |        |
| EPE 250     | 250                 | -                         | 500 | 515 | 40  | -   | 270 | -  | -  | -  | -  | 320 | 21     |
| FA 250      | 250                 | -                         | 500 | 540 | -   | 230 | 650 | 50 | 50 | 20 | -  | 680 | 33     |
| PLF 250     | 200                 | -                         | 620 | 635 | 500 | -   | 280 | -  | 88 | -  | -  | 630 | 40     |
| POT 250     | 150                 | -                         | 425 | 440 | 50  | -   | 170 | -  | -  | -  | -  | 320 | 22     |

## Tools





Siège Social

430 rue de l'Aubinière - 44150 Ancenis Cedex - France

Tel: +33(0)2 40 09 10 11 - Fax: +33 (0)2 40 09 10 97

[www.manitou.com](http://www.manitou.com)



This brochure describes versions and configuration options for Manitou products which may be fitted with different equipment. The equipment described in this brochure may be standard, optional or not available depending on version. Manitou reserves the right to change the specifications shown and described at any time and without prior warning. The manufacturer is not liable for the specifications given. For more information, contact your Manitou dealer. Non-contractual document. Product descriptions may differ from actual products. List of specifications is not comprehensive. The logos and visual identity of the company are the property of Manitou and may not be used without authorisation. All rights reserved. The photos and diagrams contained in this brochure are provided for information only.

MANITOU BF SA - Limited company with board of directors - Share capital: 39,668,399 euros - 857 802 508 RCS Nantes