

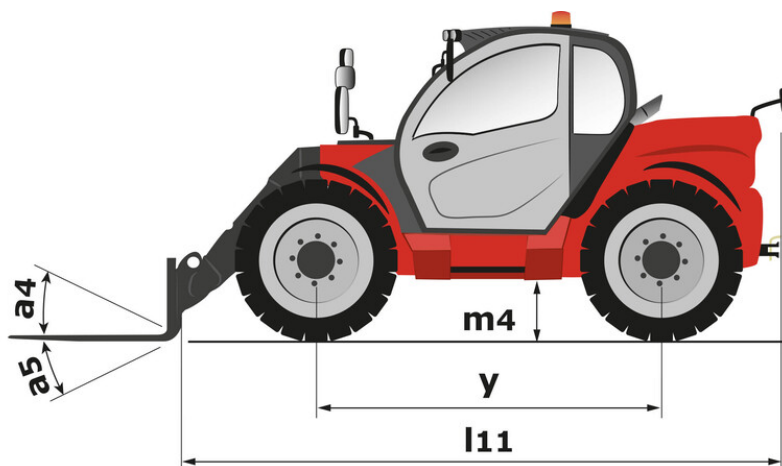
Technical sheet :

MLT 733-115 LSU



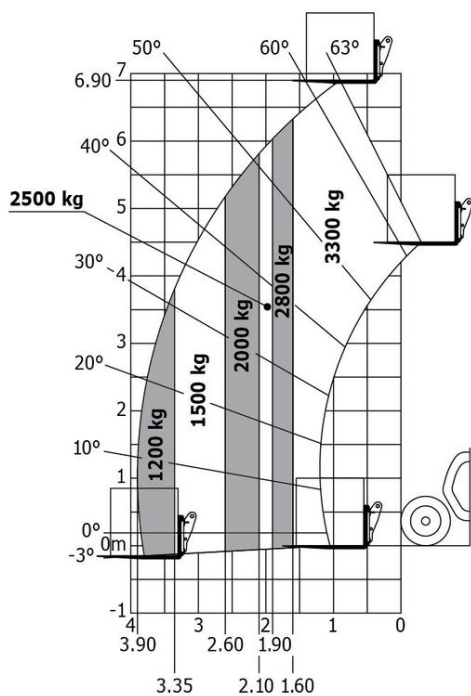
| Capacities | | Metric |
|---|-----|--|
| Max. capacity | Q | 3300 kg |
| Max. lifting height | h3 | 6.90 m |
| Max. outreach | | 3.90 m |
| Reach at max. height | | 0.90 m |
| Breakout force with bucket | | 5184 daN |
| Weight and dimensions | | |
| Unladen weight (with forks) | | 7120 kg |
| Ground clearance | m4 | 0.44 m |
| Wheelbase | y | 2.81 m |
| Overall length to carriage (with hitch) | l11 | 4.85 m |
| Front overhang | | 1.21 m |
| Overall width | b1 | 2.39 m |
| Overall cab width | b4 | 0.95 m |
| Overall height | h17 | 2.38 m |
| Tilt-down angle | a5 | 134 ° |
| Tilt-up angle | a4 | 12 ° |
| External turning radius (over tyres) | Wa1 | 3.93 m |
| Standard tyres | | Alliance - A580 - 460/70 R24 159A8 |
| Drive wheels (front / rear) | | 2 / 2 |
| Steering wheels (front / rear) | | 2 / 2 |
| Performances | | |
| Lifting | | 6.20 s |
| Lowering | | 5.80 s |
| Extension | | 5.50 s |
| Retraction | | 5.30 s |
| Crowd | | 2.80 s |
| Dump | | 2.30 s |
| Engine | | |
| Engine brand | | Deutz |
| Engine norm | | Stage V |
| Engine model | | TCD 3.6 L4 |
| Number of cylinders - Capacity of cylinders | | 4 - 3621 cm ³ |
| I.C. Engine power rating / Power (kW) | | 86.50 kW / 85 kW |
| Max. torque / Engine rotation | | 460 Nm @1600 rpm |
| Drawbar pull (Laden) | | 7800 daN |
| Reversible fan | | Option |
| Engine cooling system | | 4 radiators (water + air + hydraulic oil + transmission oil) |
| Transmission | | |
| Transmission type | | Torque Converter with Powershuttle |
| Number of gears (forward / reverse) | | 4 / 4 |
| Max. travel speed (may vary according to applicable regulations) | | 33 km/h |
| Differential lock | | Limited slip differential on front axle |
| Parking brake | | Automatic negative parking brake |
| Service brake | | Oil-immersed multi-discs braking on front & rear axles |
| Hydraulics | | |
| Hydraulic pump type | | Variable displacement pump |
| Hydraulic flow - Pressure | | 150 l/min - 270 bar |
| Flow sharing distributor | | Standard |
| Tank capacities | | |
| Hydraulic oil | | 135 l |
| Fuel tank | | 120 l |
| Diesel Exhaust fluid (AdBlue® type) | | 10 l |
| Noise and vibration | | |
| Noise at driving position (LpA) tested following NF EN 12053 norm | | 75 dB |
| Environmental noise (LWA) | | 106 dB |
| Vibration to whole hand/arm | | < 2.50 m/s ² |
| Miscellaneous | | |
| Tractor homologation | | Tractor homologation |
| Safety cab homologation | | Cabin ROPS - FOPS Level 2 |
| Controls | | JSM |

MLT 733-115 LSU - Dimensional drawing



MLT 733-115 LSU - Load chart

Rough terrain load chart (EN 1459 B) Metric





Head Office

B.P. 249 - 430 rue de l'Aubinière

44150 Ancenis Cedex - France

Tel: +33 (0)2 40 09 10 11 - Fax: +33 (0)2 40 09 10 97

www.manitou.com



This publication provides a description of the configuration versions and options for Manitou products, which may differ for equipment. The equipment presented in this brochure may be part of a series, as an option, or it may not be available, depending on the versions. Manitou reserves the right, at any time and without notice, to amend the specifications described and represented. The specifications provided do not bind the manufacturer. For more details, please contact your Manitou agent. This is not a contractually binding document. The presentation of the products is not contractually binding. List of specifications non-exhaustive. The logos as well as the visual identity of the company are owned by Manitou and cannot be used without authorisation. All rights reserved. The photos and diagrams contained in this brochure are only provided for consultation and information purposes.

MANITOU BF SA - Limited company with board of directors - Share capital: 39,668,399 euros - 857 802 508 RCS Nantes